



EUROSAFE

Special formulated thermos-alloy **FS Metal Mix** barrier material



Tongue & groove construction to prevent hot gases/smokes from seeping in

Attractive fascia

Secured with 2 key locks-Vds Certified Keylock & keyless combination lock

Secondary relocking device to resist any forced attempts of disengaging the lock from bolt work mechanism

Heavy duty 28mm continuous steel locking **hardened-chromed bolts**

Lockable drawer & adjustable shelf

Powder coated finish



JIS S 1037 : 1989 FIRE RESISTIVE CONTAINERS

ANSI/UL 687 : 1981 and MS 1297:1992 SPECIFICATION FOR FIRE AND BURGLARY RESISTANT OFFICE SAFES.

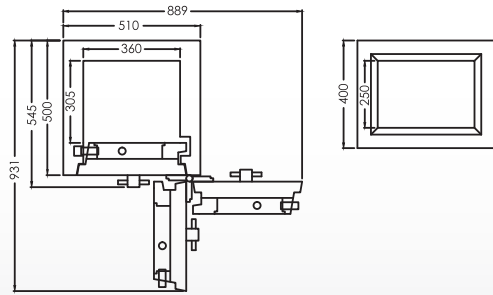
FALCON SAFE MARKETING SDN BHD
 Lot 4912, Jalan Teratai 5 1/2 Miles, Off Jalan Meru,
 41050 Klang, Selangor, Malaysia.
T 603 3392 4848
F 603 3392 5858
E falcon@falconsafe.com
W www.falconsafe.com

AUTHORISED DEALER



This Catalogue has been designed for distribution throughout many international markets. Thus, some specifications, comparisons and information set forth herein may not apply in all markets. Falcon's policy is one of continuous improvement, the right to change specifications without prior notice is reserved.

ES 160



External

H420 x W510 x D530 (mm)

Internal

H270 x W360 x D350 (mm)

Weight

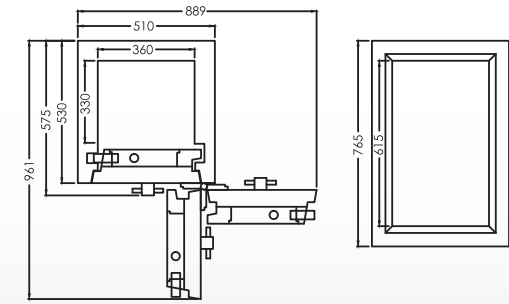
190 kg

Lock

Combination Lock + Cylinder Key Lock

Features

1 adjustable shelf



External

H790 x W510 x D530 (mm)

Internal

H615 x W360 x D330 (mm)

Weight

320 kg

Lock

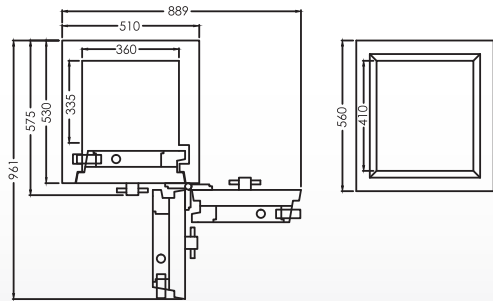
Combination Lock + Cawi Key Lock 8 Lever Fully Import Germany Vds Certified, Key Length Bit To Bit 120mm

Features

1 adjustable shelf, 1 lockable drawer

ES 300

ES 220



External

H560 x W510 x D530 (mm)

Internal

H410 x W360 x D335 (mm)

Weight

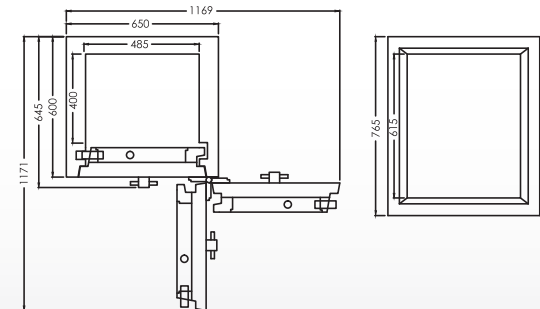
230 kg

Lock

Combination Lock + Cawi Key Lock 8 Lever Fully Import Germany Vds Certified, Key Length Bit To Bit 120mm

Features

1 adjustable shelf



External

H790 x W650 x D600 (mm)

Internal

H615 x W485 x D400 (mm)

Weight

430 kg

Lock

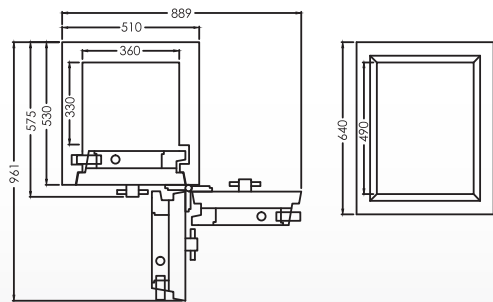
Combination Lock + Cawi Key Lock 8 Lever Fully Import Germany Vds Certified, Key Length Bit To Bit 120mm

Features

1 adjustable shelf, 1 lockable drawer

ES 350

ES 250



External

H640 x W510 x D530 (mm)

Internal

H490 x W360 x D330 (mm)

Weight

290 kg

Lock

Combination Lock + Cawi Key Lock 8 Lever Fully Import Germany Vds Certified, Key Length Bit To Bit 120mm

Features

1 adjustable shelf, 1 lockable drawer

Features



Falcon Euro Cash Safe series

Falcon Euro Cash Safe series provides burglary and fire resistant protection for cash and valuables to international standards.

Key Features

- High quality cash safe in protecting cash within an office, retail, home environment with a high level of security grade.
- Live & dead re-lockers are incorporated into the bolt work to resist attack of drill on the door.
- Door and body slab thickness encasing with Falcon special formulated FS high density refractory material, to protect against potential ways of burglary attacks.
- Equipped with quality bolt work and locking mechanism. Heavy duty steel locking hardened-chromed bolts securing the door at the front whereby the bolt work comprises of 3 ways flexible moving bolts to the top, bottom and lock case. The series are anchored with full length vertical interlocking rebates system which gives 4 ways locking system in total.
- Falcon Eurosafe series are secured by high security three-wheel mechanical combination lock with security capability of 1,000,000 combination variation. The door is secured by Cawi key lock (Germany Vds certified)
- The Eurosafe Series are tested & compliance to ANS/UL687:1981 and MS 1297:1992 SPECIFICATION FOR DIRE AND BURGLARY RESISTANT OFFICE SAFES. All test have tested to resist attacking such as high speed drill attack on door, hydraulic jack attack, oxy-acetylene flame cutting touch attack. The safes are tested against fire testing and compliance to JIS S 1037:1989 FIRE RESISTIVE CONTAINERS. The series have been tested and rated for 2 hours fire resistant.