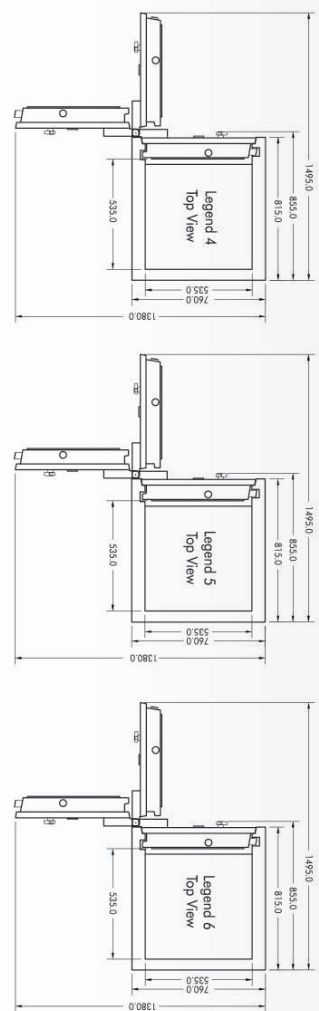
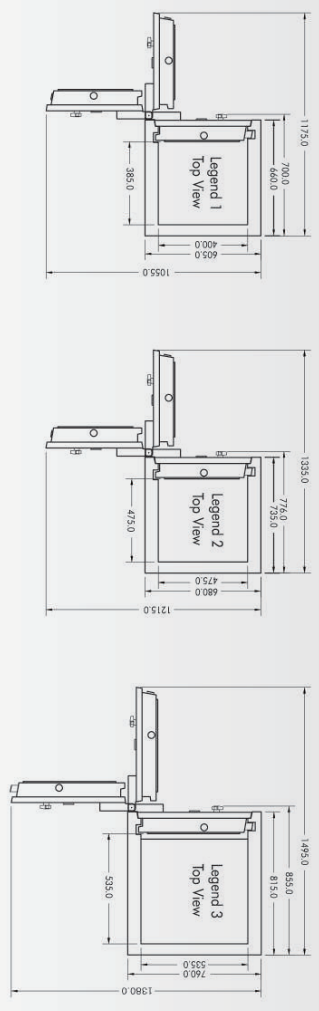




The World's Trusted Safe

BANKER SAFE



Tested & Certified to JIS S 1037 : 1989 FIRE RESISTIVE CONTAINERS



Tested & Certified to ANSI/UL 487 : 1981 and MS 1297:1992 SPECIFICATION FOR FIRE AND BURGLARY RESISTANT OFFICE SAFES

AUTHORISED DEALER

www.falconsafe.com

This Catalogue has been designed for distribution throughout many international markets. Thus, some specifications, comparisons and information set forth herein may not apply in all markets. Falcon's policy is one of continuous improvement, the right to change specifications without prior notice is reserved.



FALCON LEGEND SERIES

Falcon Legend series comprehensive range of safes is ideal for protecting medium sum of money as well as those company which require higher level of security. Their ease of operation makes them ideal for everyday use in the office and home environment.

PROTECTIVE THICKNESS OF DOOR SLAB

The overall thickness of door measure 160 mm and comprises a solid core of Falcon special formulated thermo-dilloy F3 Metal Mix barrier material reinforced with anti-penetration bars encased between heavy steel press formed plates with lockcase forming an integral part of the door structures. Additional security has been achieved with incorporating defensive Falcon FHR hardened steel alloy securing the vital parts of the locking mechanism.



Secured by S&G UL listed three wheel combination lock with a security capability of 1,000,000 combination variations and KABA MAEUR UL-listed president 8 lever mechanical key lock with approximate 280,000 theoretical variation.

LOCKING MECHANISM

The Legend Series Safe body has an overall thickness of 100 mm and encasing a monolithic barrier of Falcon FS Metal Mix thermo-dilloy protective material. The monolithic concept, being the single cast unit of consistent density, gives the safe body its strength and high protective qualities.

BODY THICKNESS



The Legend Series Safe body has an overall thickness of 100 mm and encasing a monolithic barrier of Falcon FS Metal Mix thermo-dilloy protective material. The monolithic concept, being the single cast unit of consistent density, gives the safe body its strength and high protective qualities.

BOLT WORK SYSTEM

A series of heavy duty 38mm diameter steel 3-way full length running bolts secure the door in specially reinforced body sections ensuring maximum protection against intrusion by any mechanical tools attack. It also incorporates the impressive Gyro-gearing mechanism for smooth boltwork movement and allow maximum throwing of the bolts into the cup-formed reinforced section of the body. The back are engaged with full vertical reinforced interlocking rebate system.

EMERGENCY RELOCKING DEVICES



Falcon live & dead relocking devices will automatically activate and seizes all bolts if forcible attacks are made especially by explosive charges or mechanical tools. The live relocking devices are designed for parallel protection securing mechanism while dead relocking devices are independent locks.

DIGITAL LOCK (OPTIONAL)

Upgradable to any UL-listed digital lock.



S&G KABA LAGARD

Specification



LEGEND 6	LEGEND 5	LEGEND 4	LEGEND 3	LEGEND 2	LEGEND 1
1 full width drawer 6 moving front bolts 2 top moving bolts 2 dead relocker 2 adjustable shelf Full length vertical rebate 2 bottom moving bolts 1 live relocker	1 full width drawer 6 moving front bolts 2 top moving bolts 1 dead relocker 2 adjustable shelf Full length vertical rebate 2 bottom moving bolts 1 live relocker	1 full width drawer 5 moving front bolts 1 top moving bolts 1 dead relocker 2 adjustable shelf Full length vertical rebate 1 bottom moving bolts 1 live relocker	1 full width drawer 4 moving front bolts 1 top moving bolts 1 dead relocker 1 adjustable shelf Full length vertical rebate 1 bottom moving bolts 1 live relocker	1 full width drawer 4 moving front bolts 1 top moving bolts 1 dead relocker 1 adjustable shelf Full length vertical rebate 1 bottom moving bolts 1 live relocker	1 full width drawer 3 moving front bolts 1 top moving bolts 1 dead relocker 1 adjustable shelf Full length vertical rebate 1 bottom moving bolts 1 live relocker
STANDARD FITTING					
1600 kg (3520 lbs)	1315 kg (2893 lbs)	1220 kg (2684 lbs)	820 kg (1804 lbs)	650 kg (1430 lbs)	500 kg (1100 lbs)
NETT WEIGHT					
1690 kg (3718 lbs)	1395 kg (3069 lbs)	1290 kg (2838 lbs)	880 kg (1936 lbs)	700 kg (1540 lbs)	538 kg (1184 lbs)
GROSS WEIGHT					
1830 x 760 x 815 (72" x 30" x 32")	1650 x 760 x 815 (65" x 30" x 32")	1390 x 760 x 815 (54.7" x 30" x 32")	1095 x 760 x 815 (43" x 30" x 32")	890 x 685 x 735 (35" x 27" x 29")	711 x 605 x 660 (28" x 23.8" x 26")
EXTERNAL (Height x Width X Depth) mm					
1610 x 535 x 535 (63" x 21" x 21")	1430 x 535 x 535 (56" x 21" x 21")	1180 x 535 x 535 (46" x 21" x 21")	865 x 535 x 535 (34.2" x 21" x 21")	680 x 475 x 489 (26.7" x 18.7" x 18.9")	500 x 400 x 410 (19.7" x 15.8" x 16.2")
INTERNAL (Height x Width X Depth) mm					

Features

