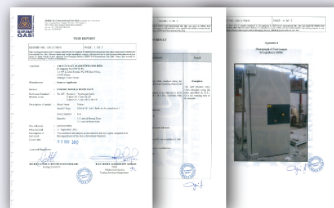


SPECIFICATION

MODEL	BRD06	BRD09	BRD12	BRD25
Clear Opening	1908mm(H) x 805mm(W)			
Overall Frame	1996mm(H) x 1005mm(W)			
Overall Door Thickness	100mm			
Protective Thickness	6.0 mm	9.0 mm	12.0 mm	25.0 mm
Barrier Material	Harden plate			
Front Bolts	4 moving horizontal bolts (25mm diameter)			
Rear Bolts	4 fixed horizontal bolts (25mm diameter)			
Locking: KCL	3-wheel combination			
Locking: KL	Seven-lever industrial lock - 2 x 160mm key			
Relockers	NONE	ONE	TWO	TWO
Steel encased fire resisting chamber	25.0 mm			
Hinge	Heavy Duty Bearing Hinges - Left / Right hung			
Base Frame	Mild steel solid base plate with chamfer			
Back Panel	With hinges and secured by 2 x camlock			
Handle	Iron-cast handle			
Finish	Painted finished			
Grille Gate	Optional (Painted)			
Grille Gate Locking	2 x Dead bolt lock			
Net Weight	280KG	350KG	400KG	580KG
Standard Wall Thickness	250 mm			
Shipping (20'ft)	30 units door			



Tested & Certified to ANSI/UL 687 - 1981 and MS 1297:1992 SPECIFICATION FOR FIRE AND BURGLARY RESISTANT OFFICE SAFES.

www.falconsafe.com

This Catalogue has been designed for distribution throughout many international markets. Thus, some specifications, comparisons and information set forth herein may not apply in all markets. Falcon's policy is one of continuous improvement, the right to change specifications without prior notice is reserved.



BOOK ROOM DOOR

6.0 / 9.0 / 12.0 / 25.0 mm



ASIA SUCCESS
AWARD 2010/2011

SUPER GOLDEN PRODUCT
THE BEST MANUFACTURER OF
SAFETY BOX PRODUCTS



SME RECOGNITION
AWARD 2013

SME RISING STAR AWARD



THE MALAYSIA
100 EXCELLENT
ENTERPRISE 2014

GOLDEN EAGLE AWARD



JCI CYEA
2019 CREATIVE YOUNG ENTREPRENEUR AWARD

FALCON BRD ROOM DOOR SERIES

Suitable for archive book room in bank, government departments and commercial organizations for the protection against burglary attack. FALCON BRD Series book room door overall thickness measure 100mm.

The protective layers consists of harden plate of

- 6mm for BRD06 door and;
- 9mm for BRD09 door and;
- 12mm for BRD12 door and;
- 25mm for BRD25 door;

The back panel of door is equipped with steel encased fire resisting chamber to provide resistant against any fire attack.

BOLTWORK MECHANISM

The door is secured with a series of heavy duty 25mm diameter bolts & door back anchored with fixed bolt works for positive protection ensuring the door remain shut and locked even hinges are attacked and cut off.

LOCKING MECHANISM

FALCON BRD come with standard locking system secured by 3-wheel combination lock and seven lever high security lock. Additional keylock, 4 wheel combination lock or digital lock can be fitted on request as an option.

EMERGENCY RELOCKER DEVICES

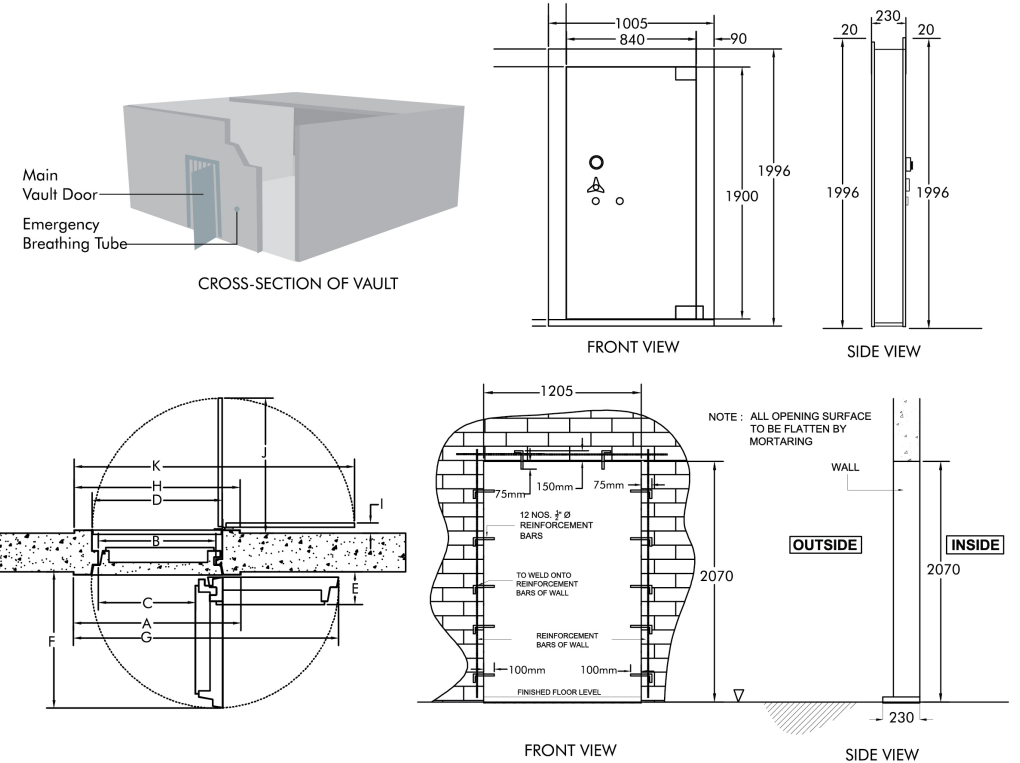
Live & dead relocker will automatically activate and seizes all bolts if forcible attack are made especially by mechanical tools attacks. The relockers can be upgraded to glass relocker protection upon request for higher level of security.

GRILLEGATE

Falcon grillegate ensure additional security and ventilation when main vault door is open for operation. Secured by two keylocks and available with painted or stainless steel finish.



BOOK ROOM DOOR 6 / 9 / 12 / 25mm



TIME LOCK (OPTIONAL)

To provide optimum security over long weekends, holidays or after office hour, an adjustable two or three movement time lock can be installed. This system maintains the door in fully lock position even with the correct keys & combinations until the preset time has elapsed. This ultimate security also ensure no opening attempt under duress.



DIGITAL LOCK (OPTIONAL)

Upgradable to the following digital locks.

- S&G UL-Listed A series lock
- KABA Auditcon 525
- Lagard Audit 66E



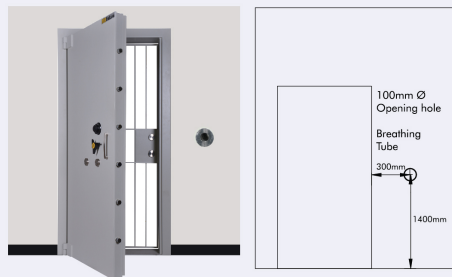
EMERGENCY BREATHING TUBE (Optional)

In the event that personnel being vault, emergency breathing tube provide fresh air, passing of water and food and two way communications. It is free maintenance and power supply is not required.



- Wall Thickness
- 6" - 9"
 - 9" - 12"

Chrome Finished



TECHNICAL DIMENSION FOR INSTALLATION OF BOOK ROOM DOOR 6 / 9 / 12 / 25mm

Ref	Description	Description	
		MM	Inches.
A	Overall door frame	1005W x 1996H	39.5"W x 78.3"H
B	Clear opening at 180°	805W x 1908H	31.6"W x 74.7"H
C	Clear wall opening at 90°	730W x 1907H	28.7"W x 74.7"H
D	Clear wall opening of installation	825W x 1857H	32.4"W x 72.9"H
E	Projection of door opened at 180°	130	5.1"
F	Projection of door opened at 90°	885	34.7"
G	Overall width of door opened at 180°	1790	70.2"
H	Overall width of gate	945	37.1"
I	Projection of gate opened at 180°	65	2.6"
J	Projection of gate opened at 90°	905	35.5"
K	Overall width of gate at 180°	1775	69.6"