

STRONG ROOM DOOR SSM90 (3.5") & SSM100 (4.0")

FALCON SSM90 & SSM100 SERIES DOOR

SSM90 (3.5") & SSM100 (4") strong room door overall thickness measuring at 200mm secured with a series of heavy duty 38mm diameter bolts. The door back anchored with Falcon vertical reinforced interlocking rebate system for positive protection ensuring the door remain shut and locked even hinges are attacked and cut off.



SPECIFICATION

MODEL	SSM90 & SSM100
Clear Opening	1955mm(H) x 1020mm(W)
Overall Frame	2170mm(H) x 1285mm(W)
Overall Door Thickness	250mm
Protective Thickness	SSM90 (90mm) SSM100 (100mm)
Barrier Material	Special Formulated High Strength Mixture (SF2000)
Front Bolts	2 top & 2 bottom moving bolts
Rear Bolts	Full vertical interlocking rebate system
Locking: KCL	Sargeant & Greenleaf UL Listed 3-wheel combination
Locking: KL	71113 Mauer Key Lock - 2 x 220mm key
Relockers	Protected by dead relocker
Hinge	Heavy Duty Bearing Hinges - Left / Right hung
Base Frame	Mild steel solid base plate with chamfer
Back Panel	With hinges and secured by 2 x camlock
Ventilator System	Optional
Micro Switch	1 unit micro switch
Handle	Smooth moving wheel handle
Finish	Painted finished
Stainless Steel Cladding	Optional
Grille Gate	Optional (Painted or Stainless steel finish)
Grille Gate Locking	2 x Dead bolt lock
Net Weight	SSM90 (1100kg Door and 45kg Gate) SSM100 (1300kg Door and 45kg Gate)
Standard Wall Thickness	300 mm
Shipping (20'ft)	12 units doors + Gate in 20'ft container

SSM SERIES VAULT DOOR SUMMARY

Model	Protective Thickness	Overall Thickness	Barrier Material	Boltwork Mechanism	Weight (Kg)
SSM 90	90mm (3.5")	200mm (8")	SF2000	7 Horizontal / 2 top / 2 Bottom / Vertical Rebate	1100 Kgs
EMD 90	90mm (3.5")	200mm (8")	SF2000	3 Horizontal / 1 Top / 1 Bottom / Vertical Rebate	500 Kgs
SSM 100	100mm (4.0")	225mm (9")	SF2000	7 Horizontal / 2 top / 2 Bottom / Vertical Rebate	1300 Kgs
EMD 100	100mm (4.0")	225mm (9")	SF2000	3 Horizontal / 1 Top / 1 Bottom / Vertical Rebate	600 Kgs

FEATURES



EMERGENCY DOOR (OPTIONAL)



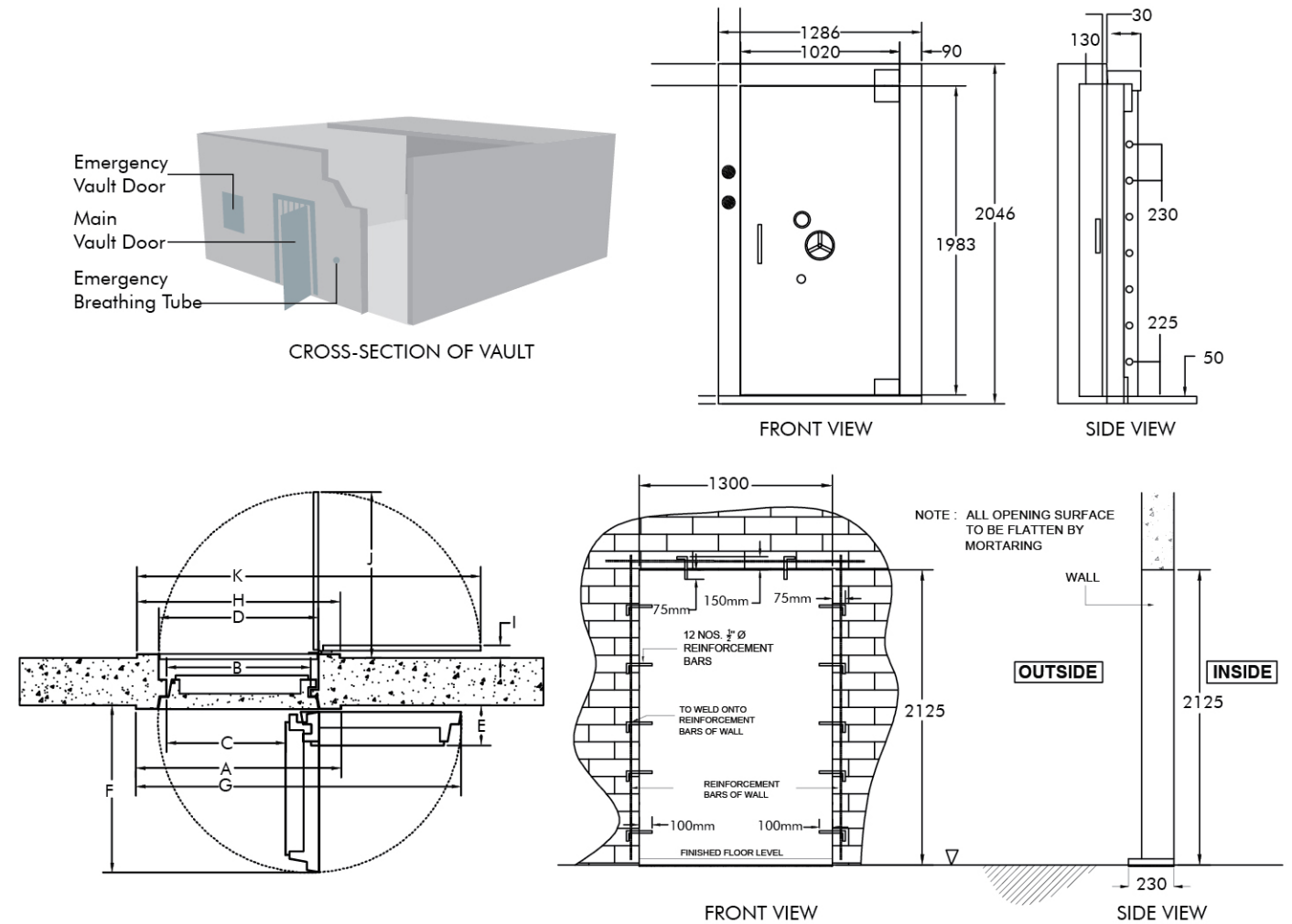
TIME LOCK (OPTIONAL)



DIGITAL LOCK (OPTIONAL)



EMERGENCY BREATHING TUBE (OPTIONAL)



TECHNICAL DIMENSION FOR INSTALLATION OF STRONG ROOM DOOR SSM90 (3.5") & SSM100 (4.0")

Ref	Description	Description	
		MM	Inches.
A	Overall door frame	1285W x 2170H	50.4"W x 85.1"H
B	Clear opening at 180°	1020W x 1955H	40.2"W x 76.7"H
C	Clear wall opening at 90°	710W x 1950H	27.9"W x 76.5"H
D	Clear wall opening of installation	1010W x 1900H	39.7"W x 74.6"H
E	Projection of door opened at 180°	320	12.6"
F	Projection of door opened at 90°	1050	41.2"
G	Overall width of door opened at 180°	2110	82.8"
H	Overall width of gate	1220	47.9"
I	Projection of gate opened at 180°	57	2.3"
J	Projection of gate opened at 90°	1060	41.6"
K	Overall width of gate at 180°	2135	83.3"

TECHNICAL DIMENSION FOR INSTALLATION OF EMD90 (3.5") & EMD100 (4.0")

Ref	Description	Description	
		MM	Inches.
A	Overall door frame	820W x 1015H	32"W x 40"H
B	Clear opening at 180°	466W x 690H	22"W x 27.1"H
C	Clear wall opening at 90°	395W x 690H	15.5"W x 27.1"H
D	Clear wall opening of installation	550W x 640H	21.6"W x 25.1"H
E	Projection of door opened at 180°	208	8.2"
F	Projection of door opened at 90°	630	24.7"
G	Overall width of door opened at 180°	1310	51.4"